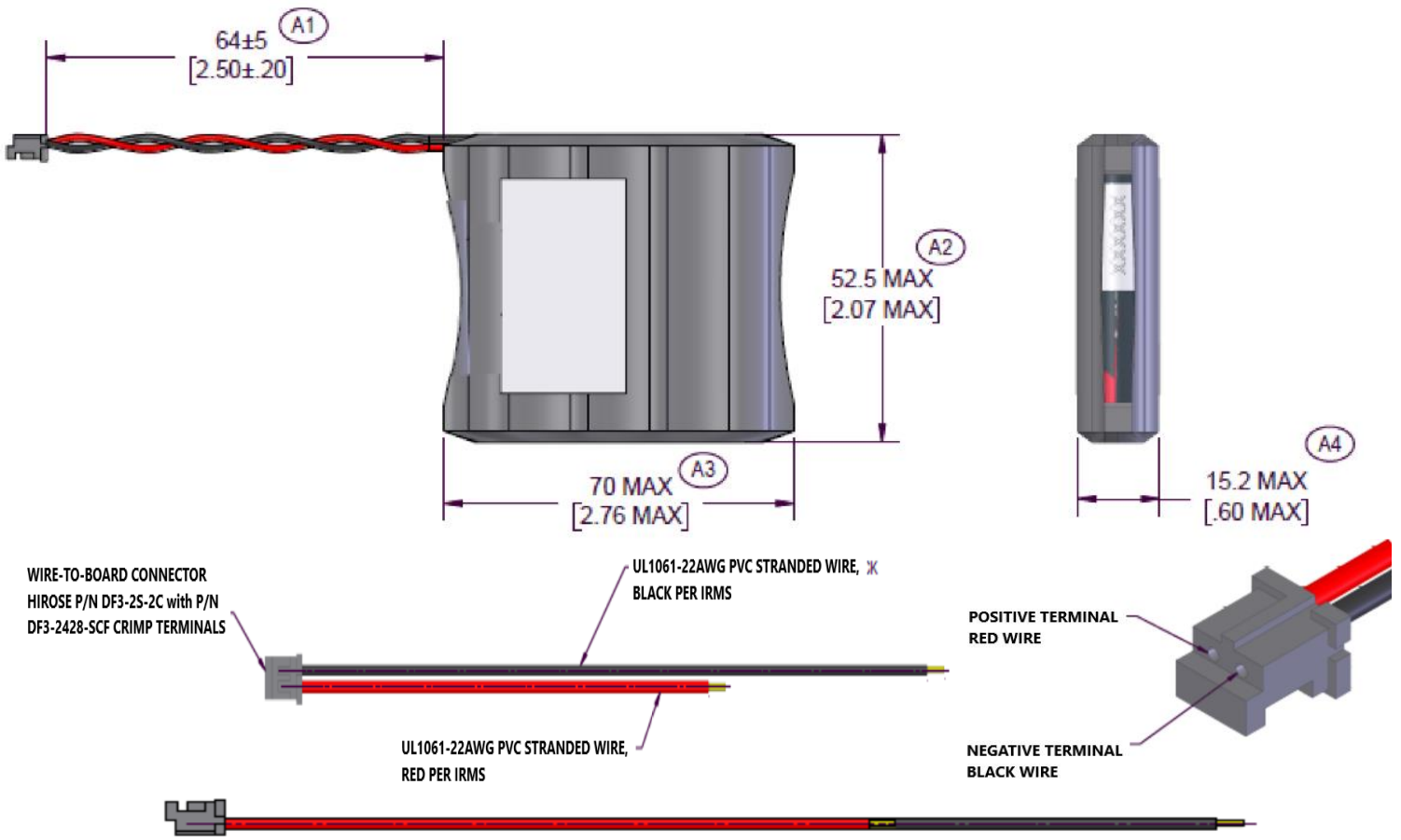


ALKALINE-MANGANESE DIOXIDE BATTERY PACK



Size: PXBP-STYLE-F



Dimensions (millimeter [inch])

KEY FEATURES

- Reliable Performance
- Excellent resistance to corrosion
- Designed to meet all major quality, safety and environmental standards:
 - Safety: IEC 60086-5
 - ANSI C 18.1M, Part-2
 - EU Battery Directive 2006/66/EC
 - EU REACH / California Prop 65

TYPICAL APPLICATIONS

- Keyless Door Locks
- IC Card Hotel Locks
- RF Card Locks
- Digital Door Locks

ELECTRICAL CHARACTERISTICS

- Nominal capacity (25 mA Cont., 3.2V cut-off) 3,112 mAh
- Typical Voltage (at + 20 °C) 6 V
- AC Impedance @ 1kHz 325 mΩ

PHYSICAL CHARACTERISTICS

- Typical weight 105 g (3.7 oz)
- Typical volume 40.5 cm³ (2.5 in³)
Hirose DF3-2S-2C,
DF3-2428SCF
- Terminals

OPERATING & STORAGE CONDITIONS

- Operating temperature range -20°C to 54°C
(-4°F to 130°F)
- Recommended Storage (storage area should be clean, cool, dry, and ventilated) 5°C to 30°C
(41°F to 86°F)

TYPICAL PERFORMANCE

